

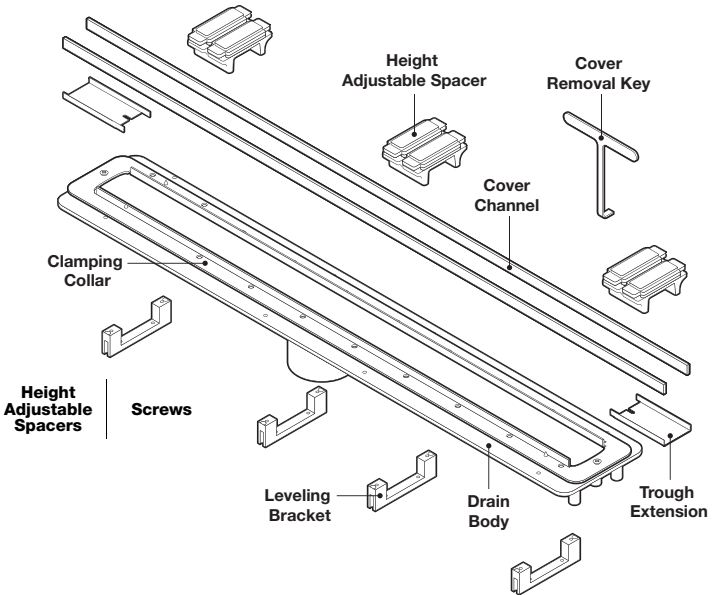


**PVC2430D15, PVC2430D20,  
PVC3240D20, PVC4048D20,  
PVC4856D20, PVC5664D20,  
PVC6472D20 TECHNICAL  
SPECIFICATION**

Job Name \_\_\_\_\_ Item # \_\_\_\_\_  
 Location \_\_\_\_\_  
 Engineer \_\_\_\_\_ Contractor \_\_\_\_\_  
 PO # \_\_\_\_\_ Tag \_\_\_\_\_  
 Representative \_\_\_\_\_

**DESCRIPTION**

- Most important special feature is the internally sloped trough. This feature is a key to no stagnant water sitting in the trough any time and eliminates hard water build up
- Length adjustability of drain body with use of trough extensions (5" for each side, 10" total) to accommodate drain sizes from 24" - 72"
- Height adjustability of drain cover with use of spacers for different thicknesses of finish material from 3/8" to 3/4"
- Compatible to the following kinds of waterproofing: topical sheet waterproofing (QTS, Kerdi™, Noble TS™), topical liquid waterproofing (AquaDefense™, RedGard™, Hydro Ban™, Ardex 8+9™), hot mop, PolyVinyl Chloride (PVC) vinyl liner, rubber liner, Chlorinated PolyEthylene (CPE).
- Drain capacity for 2" outlet is 12 GPM in a shower pan with curb and 5 GPM in a shower pan without a curb at the entry. For 1.5" outlet it's 9 GPM and 3.5 GPM. (the actual volume is limited by the plumbing lines and P-trap).



**DRAIN ASSEMBLY INCLUDES**

- PVC Parts: Drain body (1), Leveling Brackets (4), Height Adjustable Spacers\*
- 304 Stainless Steel Parts: Clamping collar (1), Cover Channel (2), Trough Extension (2), Screws\*
- Other: Cover Removal Key (2)



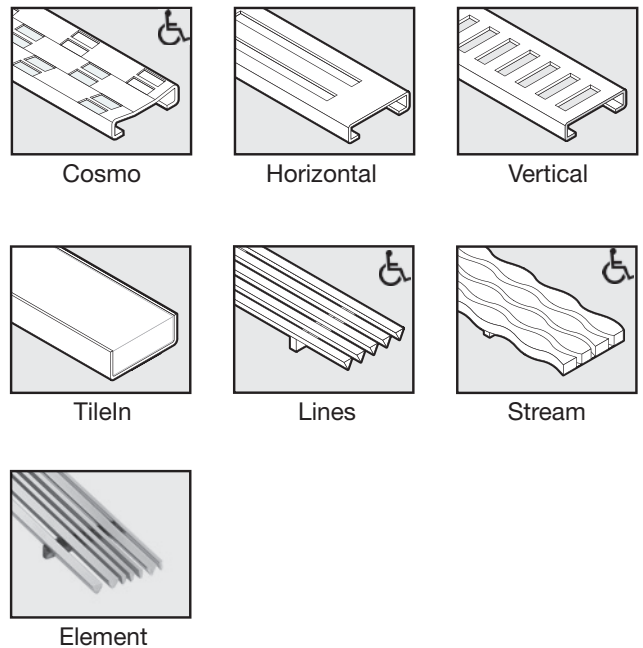
\*See chart for part quantities of different drain lengths.

**REQUIRED PART (NOT INCLUDED)**

- Drain Cover: Available in the designs below and in these lengths – 32", 40", 48", 56", 64", and 72"
- QTS waterproofing sheet

**APPROVALS AND LISTINGS**

Before installing QuickDrain USA system, check with your local building department/plumbing inspector to ensure compliance with the local building codes. QuickDrain USA LLC is not responsible for any conflicts with local building codes. QuickDrain USA LLC is not responsible for improper installation of any part of the assembly or the waterproofing membrane. Dimensions are subject to manufacturer's tolerance and can change without notice.

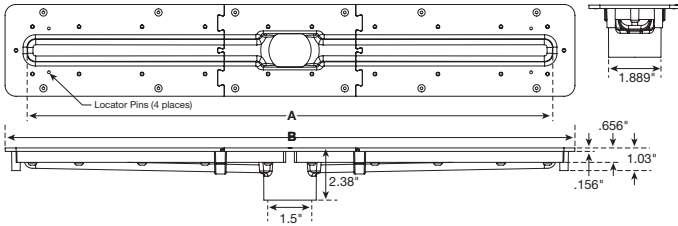


MODEL NUMBER	HEIGHT ADJUSTABLE SPACERS	SCREWS
PVC2430D15, PVC2430D20	4	22
PVC3240D20	4	26
PVC4048D20	6	34
PVC4856D20	6	38
PVC5664D20	8	42
PVC6472D20	8	50

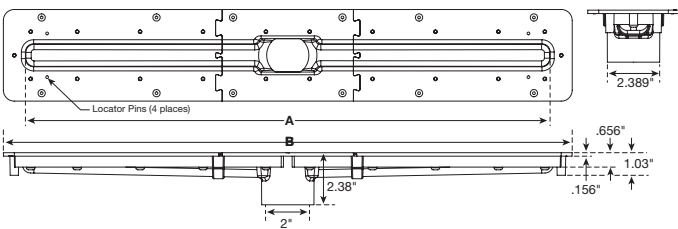


**PVC2430D15, PVC2430D20,  
PVC3240D20, PVC4048D20,  
PVC4856D20, PVC5664D20,  
PVC6472D20 TECHNICAL  
SPECIFICATION**

**DIMENSIONS (1-1/2" DOWN WASTE OUTLET)**



**DIMENSIONS (2" DOWN WASTE OUTLET)**



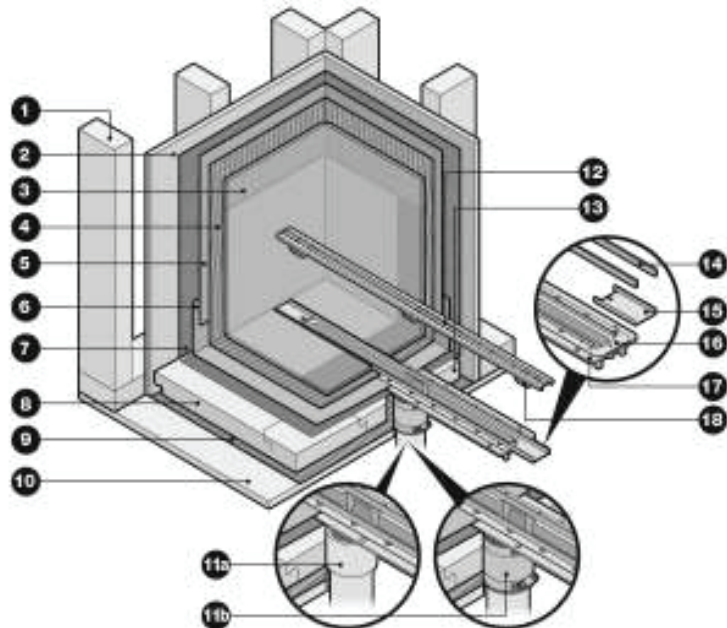
MODEL	A	B
PVC2430D15	24"	26"
PVC3240D15	32"	34"
PVC4048D15	40"	42"
PVC4856D15	48"	50"
PVC5664D15	56"	58"
PVC6472D15	64"	66"

MODEL	A	B
PVC2430D20	24"	26"
PVC3240D20	32"	34"
PVC4048D20	40"	42"
PVC4856D20	48"	50"
PVC5664D20	56"	58"
PVC6472D20	64"	66"

**INSTALLATION NOTES**

- Drain body can not be cut, but can be extended with use of trough extensions.
- Drain cover can be cut on site to fit wall to wall (curb) installation!
- Cutaway illustration (shown) is sheet waterproofing with foam panel installation. **For different types of installations, please see other cutaway illustrations at [www.quickdrainusa.com](http://www.quickdrainusa.com)**

- 1 Stud wall
- 2 Backer board
- 3 Wall tile and grout
- 4 Thin-set (for wall tile)
- 5 Sheet wall waterproofing
- 6 Sheet shower pan waterproofing
- 7 Thin-set
- 8 Pre-sloped Interlocking PET foam panels
- 9 Thin-set
- 10 Sub-floor
- 11a PVC-to-PVC connection
- 11b Shielded no-hub coupling
- 12 Drain cover
- 13 Pre-sloped interlocking drain support frame
- 14 Cover channel
- 15 Through extension
- 16 Clamping collar
- 17 Drain body
- 18 Height adjustable spacer





# SLPAN32, SLPAN40, SLPAN48, SLPAN56, SLPAN64, SLPAN72 TECHNICAL SPECIFICATION

Job Name _____	Item # _____
Location _____	
Engineer _____	Contractor _____
PO # _____	Tag _____
Representative _____	

## DESCRIPTION

ShowerLine pan—Tileable shower receptor for Linear Drain —is made of extruded rigid PET (polyethylene terephthalate) plastic foam. It is strong yet lightweight, non-reactive, economical, and shatterproof.

- Chemically stable, UV resistant and suitable for both interior and exterior use
- Can be used with both sheet and liquid topical waterproofing
- Speed and consistency of installation
- Eliminates the need for traditional mud bed installations
- Lightweight, durable with high compressive strength 145PSI
- Interlocking design, can be quickly and easily modified to size and shape of on site conditions
- Meets IAPMO PS-106-2013
- 100% post Consumer recycled and fully recyclable. ♻️
- Custom curb sizes available

## APPLICATIONS / USES

- Interior and exterior use
- Industrial, commercial and residential showers
- Gang showers
- Pet Showers

## SUITABLE SUBSTRATES (INTERIOR ONLY)

- Concrete
- Exterior Glue Plywood
- Cement backer board\*\*
- OSB Or Avantech

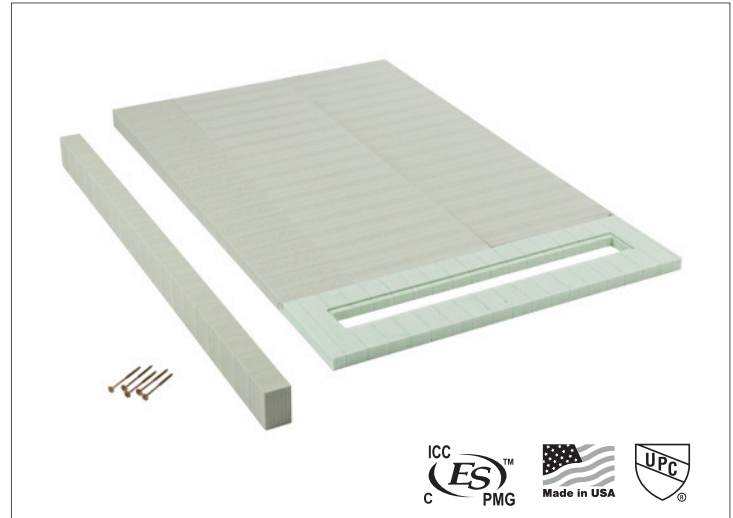
\*\*Consult cement backer board manufacturer for specific installation recommendations

## SHOWERLINE PAN INCLUDES

- Drain Support Frame\*
- Quick Slope (SLQS1652\*\*, SLQS852\*\*\*)
- Curb (SL Curb)
- Screws (5)

## APPROVALS AND LISTINGS

Before installing QuickDrain USA system, check with your local building department/plumbing inspector to ensure compliance with the local building codes. QuickDrain USA LLC is not responsible for any conflicts with local building codes. QuickDrain USA LLC is not responsible for improper installation of any part of the assembly or the waterproofing membrane. Dimensions are subject to manufacturer's tolerance and can change without notice.

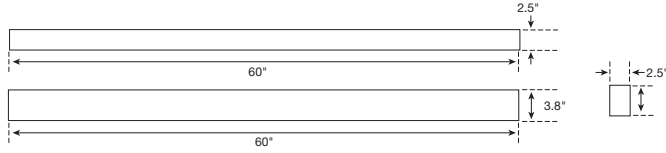


	*DSF	**SLQS1652	***SLQS852
SLPAN32	SLDSF32	2	-
SLPAN40	SLDSF40	2	1
SLPAN48	SLDSF48	3	-
SLPAN56	SLDSF56	3	1
SLPAN64	SLDSF64	4	-
SLPAN72	SLDSF72	4	1

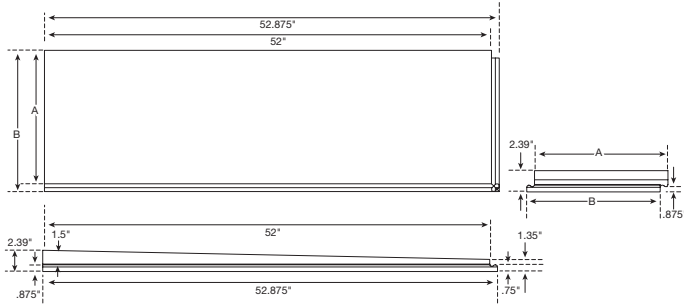


# SLPAN32, SLPAN40, SLPAN48, SLPAN56, SLPAN64, SLPAN72 TECHNICAL SPECIFICATION

## DIMENSIONS (CURB) SLCURB

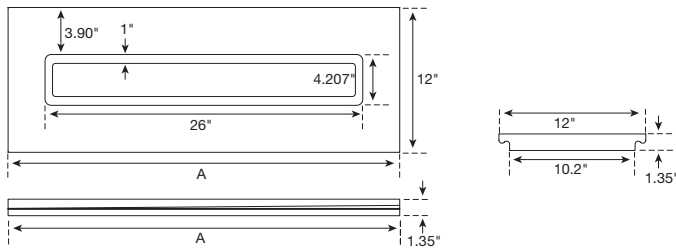


## DIMENSIONS (QUICK SLOPE) SLQS1652, SLQS852



MODEL	A	B
SLQS1652	16"	16.875"
SLQS852	8"	-

## DIMENSIONS (DRAIN SUPPORT FRAME)



MODEL	A
SLDSF32	32"
SLDSF40	40"
SLDSF48	48"
SLDSF56	56"
SLDSF64	64"
SLDSF72	72"



# LINES COVER TECHNICAL SPECIFICATION

Job Name _____	Item # _____
Location _____	
Engineer _____	Contractor _____
PO # _____	Tag _____
Representative _____	

## DESCRIPTION

- 18 Gauge 304 Stainless Steel
- Cover is removable
- Available in twelve different standard lengths or custom length
- Cover can be cut on site to fit exact finish opening
- Spacers are required to hold the Cover to the Drain Body
- Standard finish is brushed stainless steel
- Available in Brushed or Polished Stainless Steel

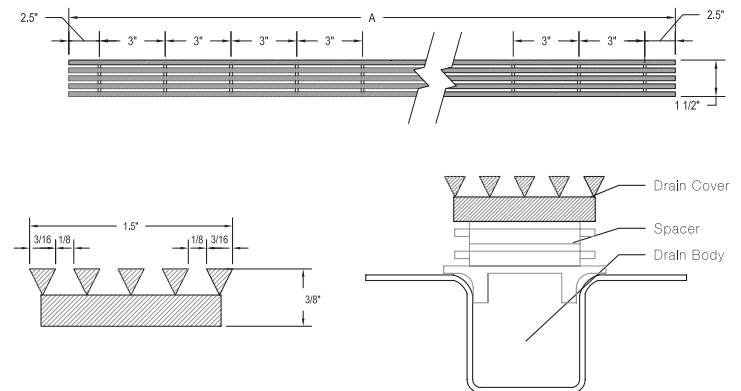
## NOTES:

- QuickDrain recommends the Cover extend the entire length of shower pan. (wall to wall or wall to curb)
- Do not grout in Cover. The Cover must remain removable for maintenance.

ITEM NUMBER	A-LENGTH
LINES18	18"
LINES32	32"
LINES40	40"
LINES48	48"
LINES56	56"
LINES64	64"
LINES72	72"
LINES18-P	18"
LINES32-P	32"
LINES40-P	40"
LINES48-P	48"
LINES56-P	56"
LINES64-P	64"
LINES72-P	72"



## DRAIN ASSEMBLY





# SLLWP, SLLWP-ADA TECHNICAL SPECIFICATION

Job Name _____	Item # _____
Location _____	
Engineer _____	Contractor _____
PO # _____	Tag _____
Representative _____	

## DESCRIPTION

- Liquid waterproofing accessories for use with any liquid waterproofing: Aqua Defense, Hydroban, 3295, Ardex 8+9, RedGard
- Made of Non-Woven Polyester fabric
- Used to bridge joints and connections in the shower pan

## WATERPROOFING KIT INCLUDES

- Non Woven Polyester Curb Covers
- Non Woven Polyester Outside Corners
- Non Woven Polyester Inside Corners
- Non Polyester Reinforcement Fabric

## APPROVALS AND LISTINGS

Before installing QuickDrain USA system, check with your local building department/plumbing inspector to ensure compliance with the local building codes. QuickDrain USA LLC is not responsible for any conflicts with local building codes. QuickDrain USA LLC is not responsible for improper installation of any part of the assembly or the waterproofing membrane. Dimensions are subject to manufacturer's tolerance and can change without notice.



KIT NUMBER	CURB COVERS	OUTSIDE CORNERS	INSIDE CORNERS	REINFORCEMENT FABRIC
SLLWP	2	-	4	1
SLLWP-ADA	-	2	2	1